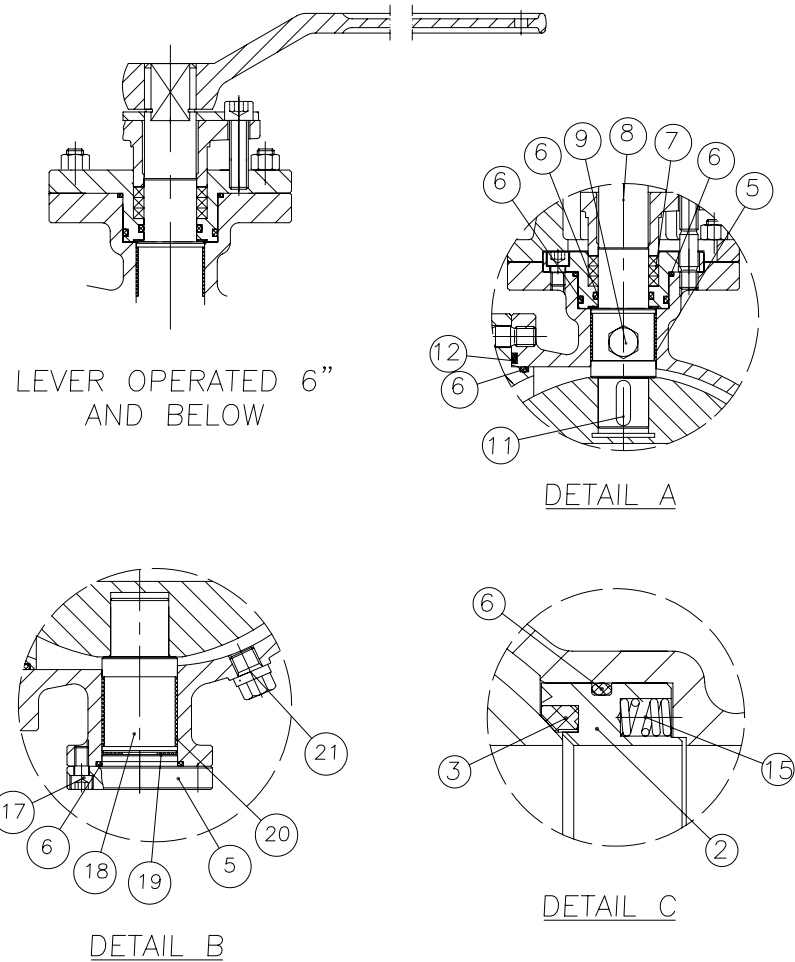
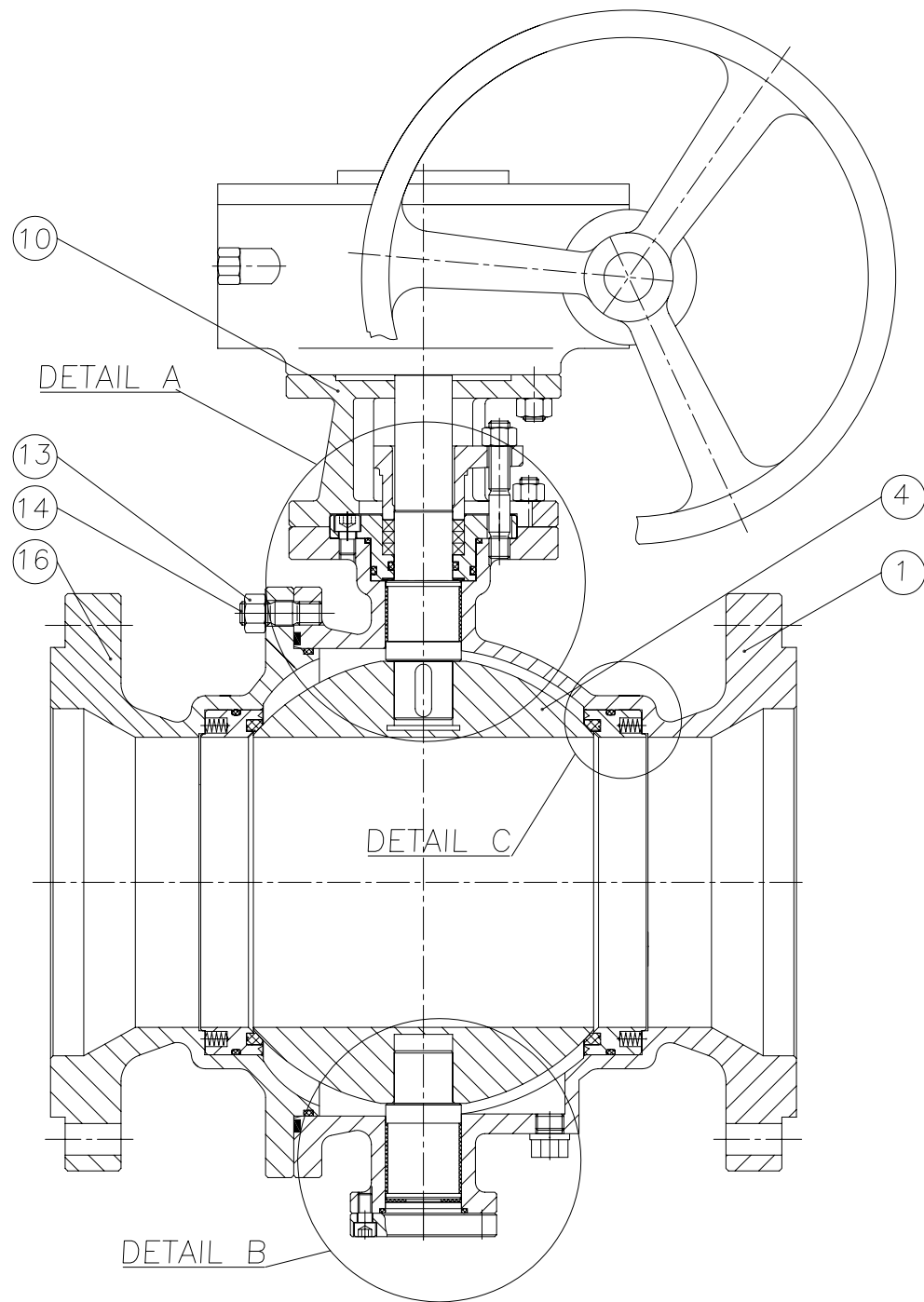
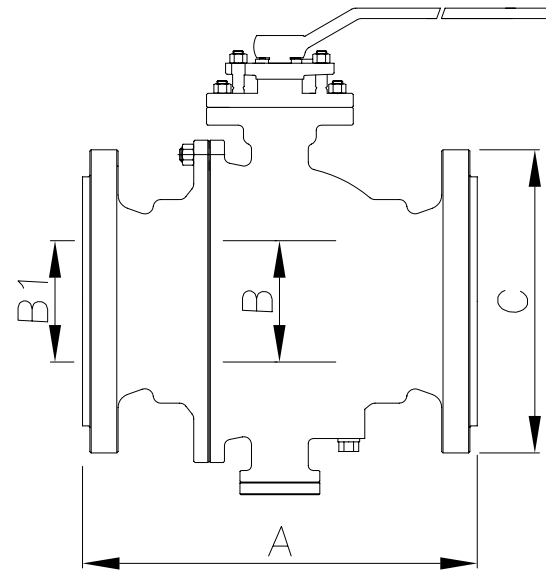


FIRE SAFE DESIGN TO API 607; TEST AND INSPECTION TO API 598; VALVES ARE IN ACCORDANCE WITH NACE MR-01-75 LATEST REV
 All drawings are subject to copyright, reproduction only with express permission of Edmund Valve Company (1965) Ltd. Subject to updating and revision.



NO	PART NAME	MATERIAL	NOTES
21	DRAIN VALVE	AISI 1020+Zn	
20	BOTTOM COVER	ASTM A216 WCB/A105	
19	LOWER THRUST WASHER	PTFE	
18	FIXED SPINDLE	A182 F316	
17	SCREW	A193 GR.B7M	
16	BONNET/CLOSURE	ASTM A216 WCB	
15	SPRING	AISI 304 SS	
14	STUD	A193 GR.B7M	
13	NUTS	A194 GR.2HM	
12	GASKET	SS316+GRAPHITE	
11	KEY	A182 F316	
10	SUPPORT	ASTM A216 WCB	
9	VENT VALVE	AISI 1020+Zn	
8	STEM	A182 F316	
7	PACKING	PTFE	
6	O-RING	VITON	
5	SLIDING BEARING	PTFE/STAINLESS STEEL	
4	BALL	AISI 316 SS	
3	SEAT	RPTFE	
2	SEAT CARRIER	A182 F316	
1	BODY	ASTM A216 WCB	

Size	A			B	B1	C
	RF	RTJ	WE			
2"x1 1/2"	216	232	216	38	51	165
3"x2"	283	298	283	51	77	210
4"x3"	305	321	305	77	102	254
6"x4"	403	419	457	102	152	318
8"x6"	502	517	521	152	203	381
10"x8"	568	584	559	203	254	445
12"x10"	648	664	635	254	305	520
14"x12"	762	778	762	305	337	585
16"x14"	838	854	838	337	387	650
18"x16"	914	930	914	387	438	710
20"x16"	991	1010	991	387	489	775
24"x20"	1143	1165	1143	489	591	915



DESIGN CODE	API 6D/ANSI B16.34	TEST PRESSURES		
FACE TO FACE DIMENSIONS	ASME B16.10	BODY	76.0	Barg
ENDS FLANGES DIMENSIONS	ASME B16.5	SEAT	55.0	Barg
TESTING CODE	API 598	SEAT - AIR	6.0	Barg

REV	DATE	DESCRIPTION	BY	CHK	APP	SCALE:		
						DRAWN	DM	DATE
						CHECKED	SMN	DATE
						APPROVED	AW	DATE

DRAWING TITLE:
 API 6D, CARBON STEEL CLASS 300
 TRUNNION MOUNTED, RF, RB, BALL VALVE

CLIENT: .
 VENDOR PO REF: .
 EVC REF: .

CAD. No. . DRAWING NUMBER: 120043 REV
 AREA No. 1 FACILITY TYPE SEQ. No. SHT. No. 01