

1 | 2 | 3 | 4 | 5 | 6 | 7 | 8

A

B

C

D

E

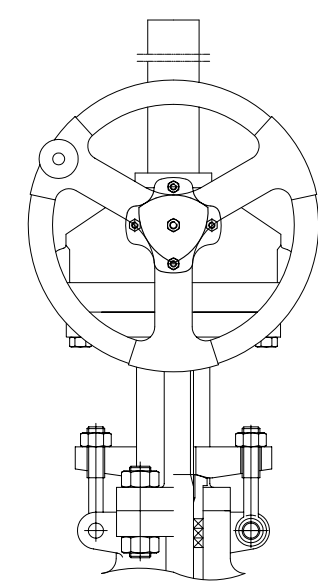
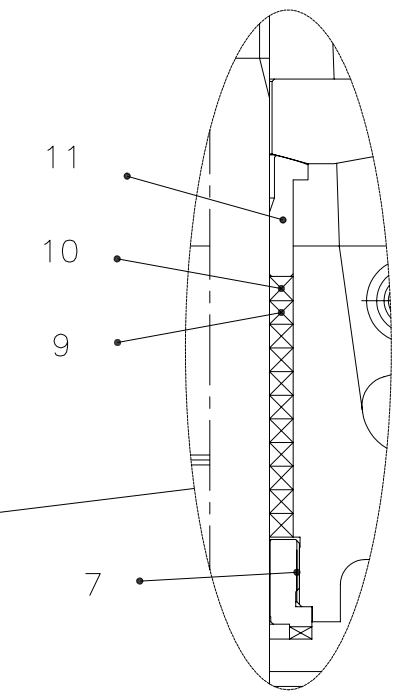
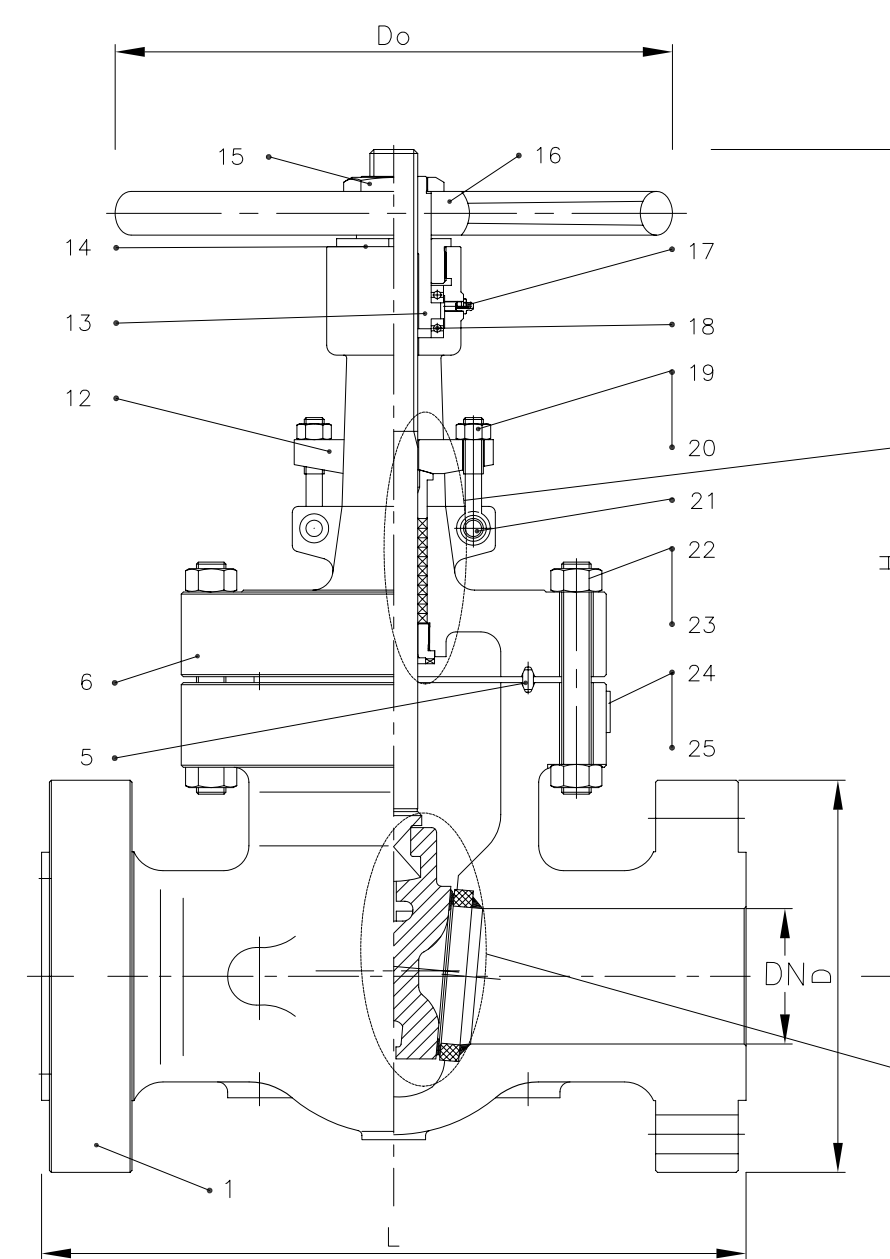
A

B

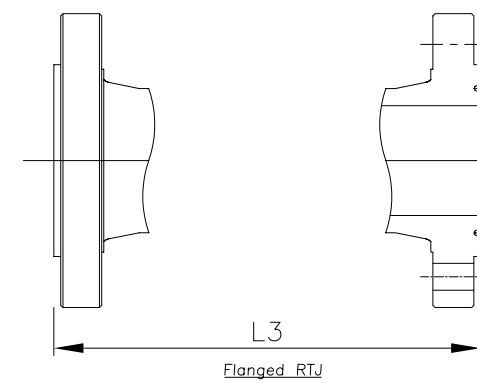
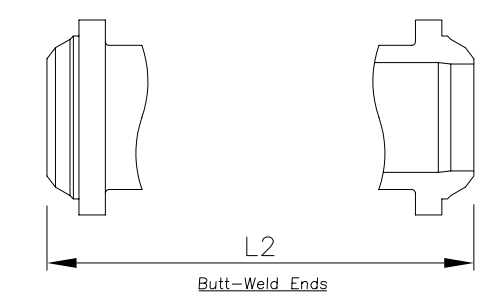
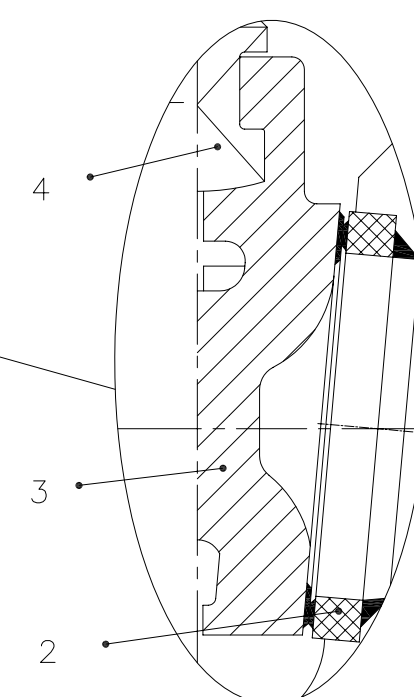
C

D

E



GEAR OP 8" & ABOVE AND UPON REQUEST



BILL OF MATERIALS				
NO.	DESIGNATION	QTY	MATERIAL	NOTES
1	Body	1	A216 WCB	
2	Seat Ring	2	A105+STL 6	
3	Wedge	1	A216 WCB+STL 6	
4	Stem	1	A182 F6a	
5	Gasket	1	A2760410	
6	Bonnet	1	A216 WCB	
7	Back Seat	1	A276 410	
8	-			
9	Packing	2	Braided Graphite	
10	Packing	4~5	Flexible Graphite	
11	Gland	1	A276 410	
12	Gland Flange	1	A216 WCB	
13	Stem Nut	1	A439 D-2	
14	Gland Nut	1	ANSI 1020	
15	Lock Nut	1	ANSI 1020	
16	Handwheel	1	A536 60-40-18	
17	Grease Nipple	1	Carbon Steel	
18	Bearing	2	UNS 52100	
19	Eye Bolt		A193 B7	
20	Eye Nut		A194 2H	
21	Pin	2	A108 1035	
22	Bolt		A193 B7	
23	Nut		A194 2H	
24	Rivet	2	304SS	
25	Name Plate	1	304SS	

Materials available on request: Stainless steel all grades; Duplex & Super Duplex; Chrome-moly; Inconel; Monel;

N.B	DN	L	L2	L3	D	Do	H(Open)	Wgt*
2"	43	368	368	371	216	300	539	74
3"	66	381	470	384	241	355	672	149
4"	92	457	546	460	292	400	782	157
6"	139	610	705	613	381	560	1076	408
8"	182	737	832	740	470	450	1411	702
10"	230	838	991	841	546	560	1720	1123
12"	273	965	1131	968	610	560	1965	1388
14"	300	1029	1257	1038	641	610	1902	1998
16"	344	1130	1383	1140	705	610	2051	2700

NOTE: BW Schedule to suit client order
* Wgt for RF valves only

All drawings are subject to copyright, reproduction only with express permission of Edmund Valve Company (1965) Ltd. Subject to updating and revisions all Edmund valve drawings are product specific. It is the clients responsibility to ensure suitability for service. Materials, design and dimensions subject to contract.

MATERIALS TO NACE MR0175 LATEST EDITION (WETTED PARTS).

DESIGN CODE	API 600/ANSI B16.34	TEST PRESSURES		
FACE TO FACE DIMENSIONS	ASME B16.10	BODY	153.15	Barg
ENDS FLANGES DIMENSIONS	ASME B16.5/B16.25	SEAT	112.31	Barg
TESTING CODE	API 598	BACKSEAT	112.31	Barg
		AIR - SEAT	6.0	Barg

REV	DATE	DESCRIPTION	BY	CHK	APP	SCALE:		
01	10/05/2010	Addition of RTJ flange dims				DRAWN	DM	DATE
						CHECKED	SMN	DATE
						APPROVED	AW	DATE

DRAWING TITLE:
API CAST CARBON STEEL CLASS 900
BOLTED BONNET, RF/RTJ/BWE, GATE VALVES

CLIENT: .

VENDOR PO REF: .

EVC REF: .

CAD. No. DRAWING NUMBER: 120171 REV 00

AREA No. | FACILITY | TYPE | SEQ. No. | SHT. No.