

1 | 2 | 3 | 4 | 5 | 6 | 7 | 8

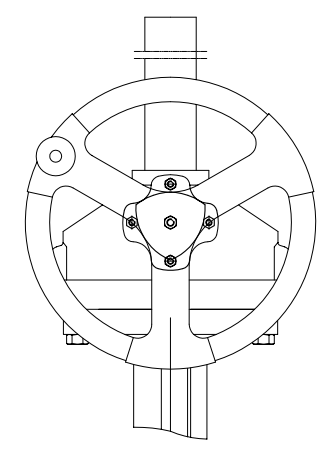
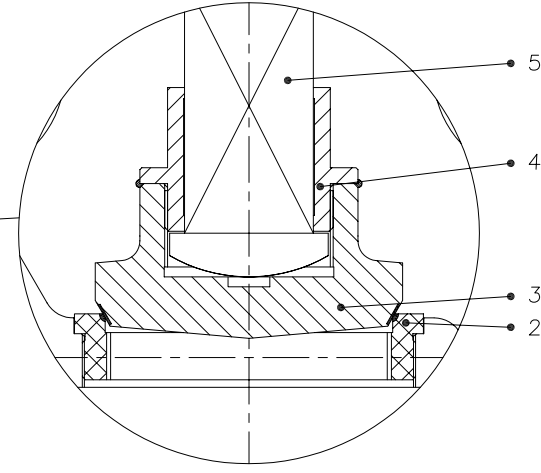
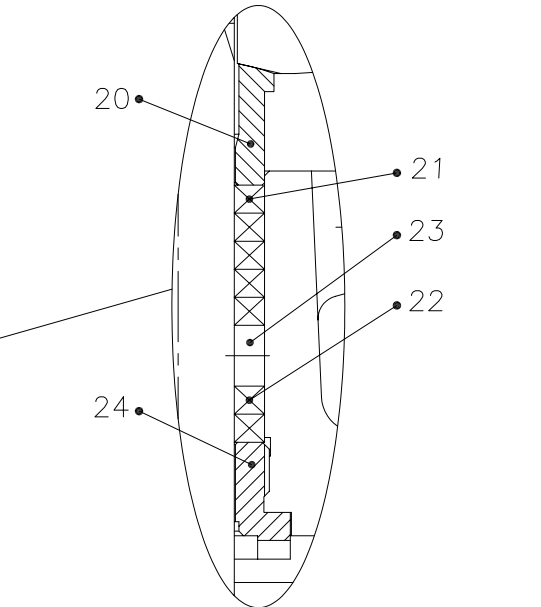
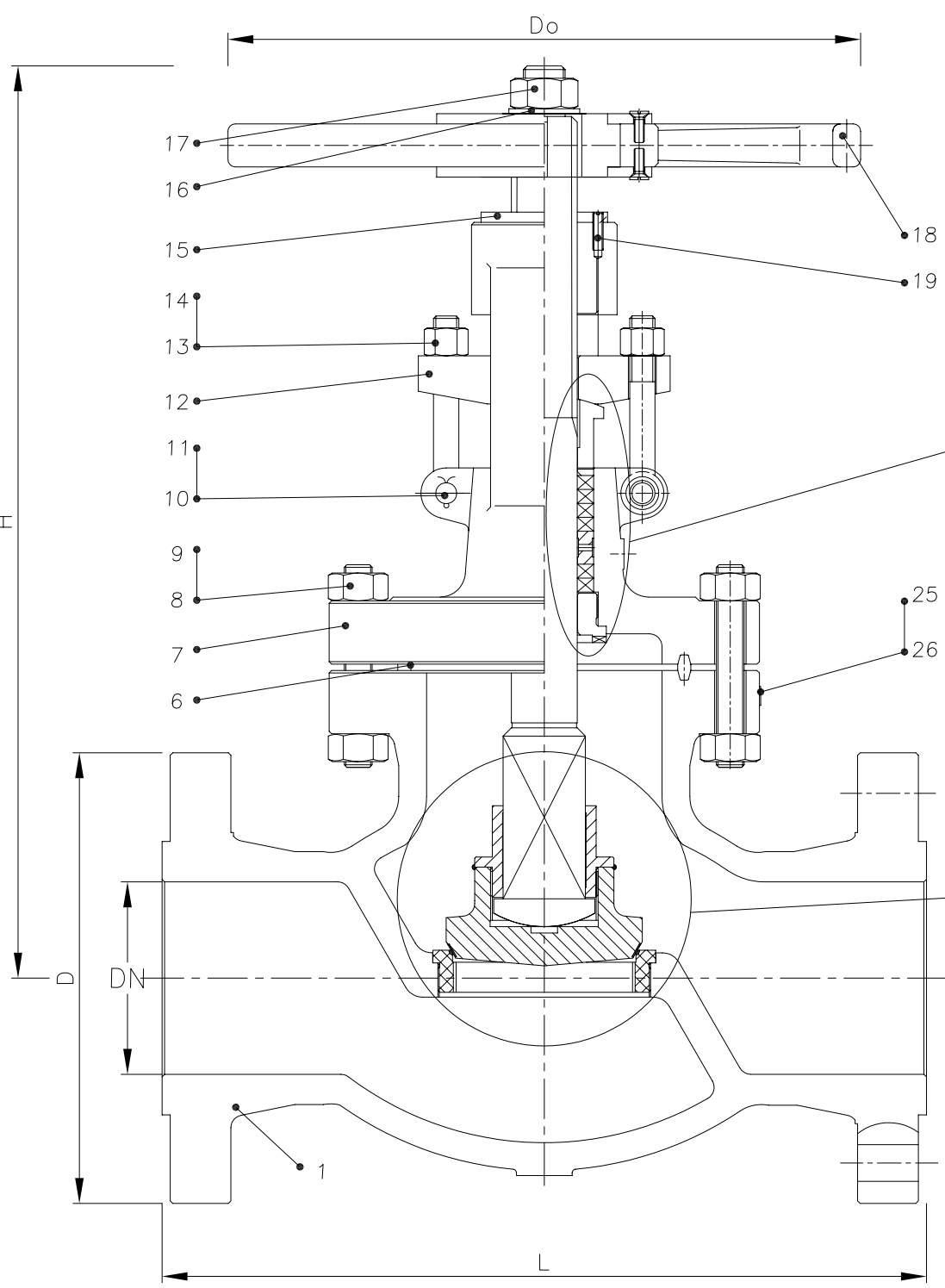
A

B

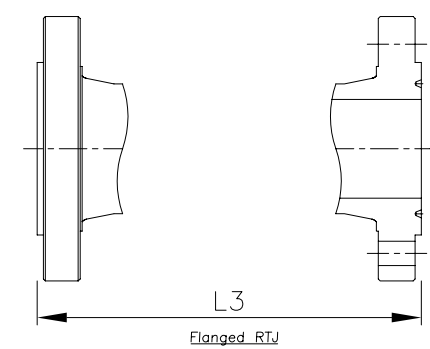
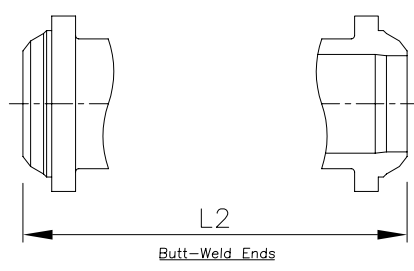
C

D

E



GEAR OP



BILL OF MATERIALS

NO	Part Name	Qty.	Material
1	Body	1	A216 WCB
2	Seat Ring	2	A105+STL
3	Disc	1	A105+STL
4	Disc Cover	1	A276 410
5	Stem	1	A182 F6a
6	Gasket	1	A276 410
7	Bonnet	1	A216 WCB
8	Bolt		A193 B7
9	Nut		A194 2H
10	Pin	2	ANSI 1035
11	Split Pin	2	Carbon Steel
12	Gland Flange	1	A216 WCB
13	Eye Bolt	2	A193 B7
14	Eye Nut	2	A194 2H
15	Stem Nut	1	A439 D-2
16	Washer	1	Carbon Steel
17	Nut	1	Carbon Steel
18	Handwheel	1	A536 60-40-18
19	Screw	1	Carbon Steel
20	Gland Busher	1	A276 316
21	Packing	2	Stainless Steel Wire
22	Packing	4~5	Flexible Graphite
23	Spacer	1	A276 410
24	Back Seat	1	A276 410
25	Rivet	2	304SS
26	Name Plate	1	304SS

Materials available on request: Stainless steel all grades; Duplex & Super Duplex; Chrome-moly; Inconel; Monel;

N.B	DN	L	L2	L3	D	Do	H(Open)	Wgt*
2"	43	368	368	371	216	400	695	111
3"	66	381	470	473	241	400	775	95
4"	92	457	546	549	292	400	855	180
6"	139	610	705	711	381	560	1288	450
8"	182	737	832	841	470	800	1665	1125
10"	230	838	991	1000	546	800	1600	1845
12"	273	965	1131	1146	610	900	1705	2385
14"	300	1029	1257	1276	641	900	2210	3285
16"	344	1130	1383	1407	705	900	2620	3870

NOTE: BW Schedule to suit client order
* Wgt for RF valves only

ENGINEERING DATA

DESIGN CODE	BS 1873/ANSI B16.34	TEST PRESSURES		
FACE TO FACE DIMENSIONS	ASME B16.10	BODY	229.8	Barg
ENDS FLANGES DIMENSIONS	ASME B16.5/16.25	SEAT	168.52	Barg
TESTING CODE	API 598	BACKSEAT	168.52	Barg
		AIR - SEAT	6.0	Barg

REV	DATE	DESCRIPTION	BY	CHK	APP	SCALE:		
						DRAWN	SMN	DATE 02.12.10
						CHECKED	AW	DATE
						APPROVED	AW	DATE

DRAWING TITLE:
API CAST STEEL CLASS 900
BOLTED BONNET, RF/RTJ/BWE, GLOBE VALVES

CLIENT:
VENDOR PO REF:
EVC REF:



CAD. No. DRAWING NUMBER: 120172 REV 00
AREA No. FACILITY TYPE SEQ. No. SHT. No.

1 | 2 | 3 | 4 | 5 | 6 | 7 | 8

All drawings are subject to copyright, reproduction only with express permission of Edmund Valve Company, (1965) Ltd. Subject to updating and revisions all Edmund valve drawings are product specific, it is the clients responsibility to ensure suitability for service. Materials, design and dimensions subject to contract. MATERIALS TO NACE MR0175 LATEST EDITION (WETTED PARTS).