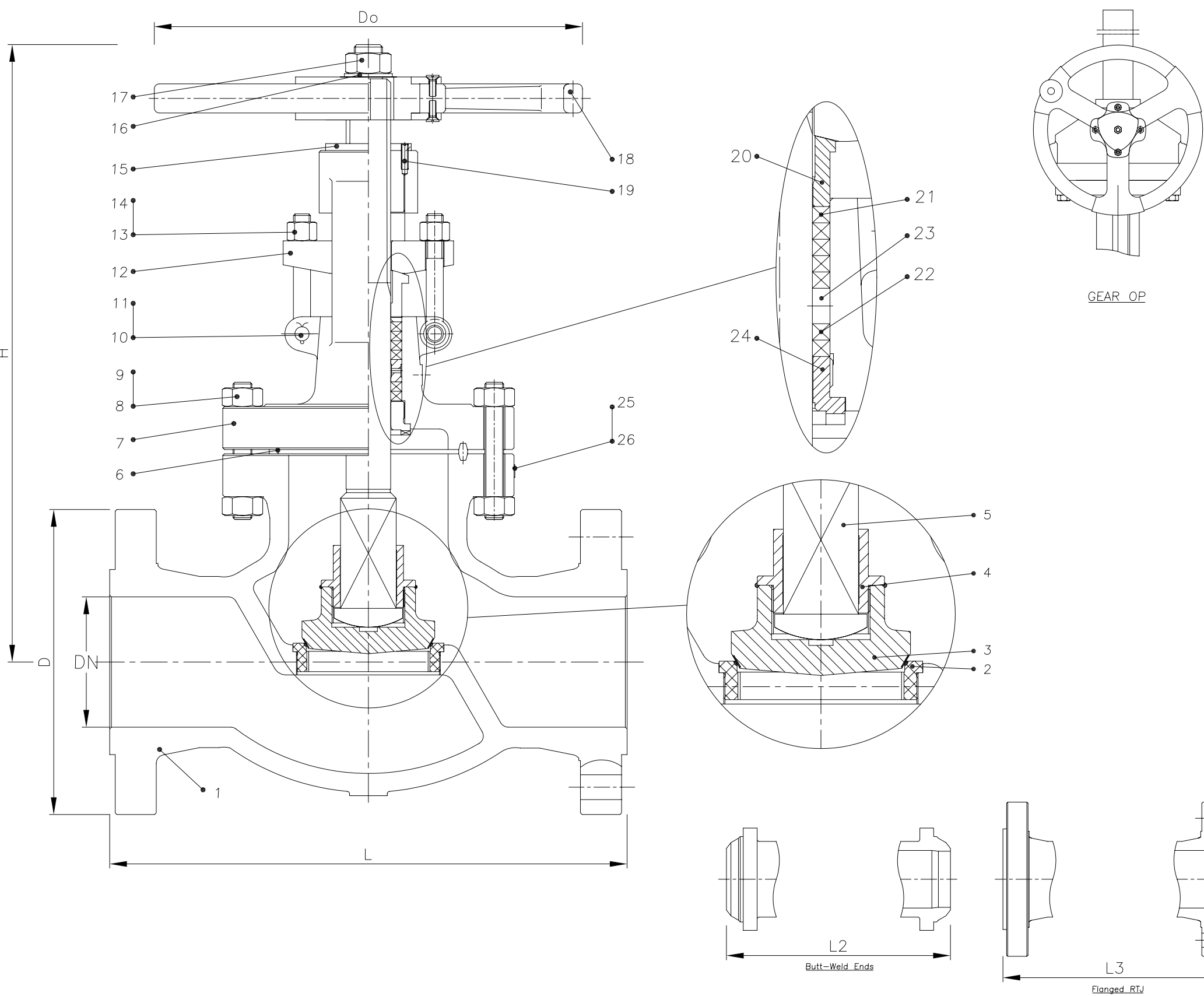


1 | 2 | 3 | 4 | 5 | 6 | 7 | 8

A
B
C
D
E



BILL OF MATERIALS			
NO	Part Name	Qty.	Material
1	Body	1	A216 WCB
2	Seat Ring	2	A105+STL
3	Disc	1	A105+STL
4	Disc Cover	1	A276 410
5	Stem	1	A182 F6a
6	Gasket	1	A276 410
7	Bonnet	1	A216 WCB
8	Bolt		A193 B7
9	Nut		A194 2H
10	Pin	2	ANSI 1035
11	Split Pin	2	Carbon Steel
12	Gland Flange	1	A216 WCB
13	Eye Bolt	2	A193 B7
14	Eye Nut	2	A194 2H
15	Stem Nut	1	A439 D-2
16	Washer	1	Carbon Steel
17	Nut	1	Carbon Steel
18	Handwheel	1	A536 60-40-18
19	Sorew	1	Carbon Steel
20	Gland Busher	1	A276 316
21	Packing	2	Stainless Steel Wire
22	Packing	4~5	Flexible Graphite
23	Spacer	1	A276 410
24	Back Seat	1	A276 410
25	Rivet	2	304SS
26	Name Plate	1	304SS

Materials available on request: Stainless steel all grades; Duplex & Super Duplex; Chrome-moly; Inconel; Monel;

N.B	DN	L	L2	L3	D	Do	H(Open)	Wgt*
2"	43	368	368	371	216	300	695	111
3"	66	470	470	473	266	400	799	164
4"	92	546	546	549	311	500	1015	306
6"	139	705	705	711	393	560	1345	605
8"	182	832	832	841	482	560	1960	1890
10"	230	991	991	1000	584	710	2310	2880
12"	273	1131	1131	1146	673	710	2670	3960
14"	300	1257	1257	1276	749	760	3200	4860
16"	344	1383	1383	1407	825	760	4064	6030

NOTE: BW Schedule to suit client order
* Wgt for RF valves only

ENGINEERING DATA

DESIGN CODE	BS 1873/ANSI B16.34	TEST PRESSURES		
FACE TO FACE DIMENSIONS	ASME B16.10	BODY	382.95	Barg
ENDS FLANGES DIMENSIONS	ASME B16.5/16.25	SEAT	280.83	Barg
TESTING CODE	API 598	BACKSEAT	280.83	Barg
		AIR - SEAT	6.0	Barg

REV	DATE	DESCRIPTION	BY	CHK	APP	SCALE:		
						DRAWN	SMN	DATE 02.12.10
						CHECKED	AW	DATE
						APPROVED	AW	DATE

DRAWING TITLE:
API CAST STEEL CLASS 1500
BOLTED BONNET, RF/RTJ/BWE, GLOBE VALVES

CLIENT:

VENDOR PO REF:

EVC REF:

CAD. No. | DRAWING NUMBER: 120173 | REV 00

AREA No. | FACILITY | TYPE | SEQ. No. | SHT. No.

1 | 2 | 3 | 4 | 5 | 6 | 7 | 8

All drawings are subject to copyright, reproduction only with express permission of Edmund Valve Company, (1965) Ltd. Subject to updating and revisions all Edmund valve drawings are product specific, it is the clients responsibility to ensure suitability for service. Materials, design and dimensions subject to contract. MATERIALS TO NACE MR0175 LATEST EDITION (WETTED PARTS).