

1 | 2 | 3 | 4 | 5 | 6 | 7 | 8

A

B

C

D

E

| BILL OF MATERIALS | | | | |
|-------------------|----------------------|-----|-------------------|-------|
| NO. | DESIGNATION | QTY | MATERIAL | NOTES |
| 1 | BODY | 1 | ASTM A216 WCB | |
| 2 | VALVE NUT | 1 | ASTM A194 2HM | |
| 3 | DISC NUT PIN | 1 | CARBON STEEL | |
| 4 | DISC WASHER | 1 | CARBON STEEL | |
| 5 | HINGE | 1 | ASTM A216 WCB | |
| 6 | DISC | 1 | ASTM A216 WCB+STL | |
| 7 | SEAT | 1 | ASTM A105+13%Cr | |
| 8 | HINGE PIN | 1 | ASTM A182 F6a | |
| 9 | BEARING BRACKET | 1 | ASTM A216 WCB | |
| 10 | BEARING BRACKET BOLT | 1 | ASTM A193 B7M | |
| 11 | SPRING WASHER | 1 | SPRING STEEL | |
| 12 | BONNET | 1 | ASTM A216 WCB | |
| 13 | GASKET | 1 | 304+GRAPHITE | |
| 14 | SEPARATE RING | 1 | ASTM A276 410 | |
| 15 | COVER | 1 | ASTM A216 WCB | |
| 16 | COVER BOLT | | ASTM A193 B7M | |
| 17 | COVER NUT | | ASTM A194 2HM | |
| 18 | STATIONARY RINGS | 1 | CARBON STEEL | |
| 19 | THRUST RING | 1 | ASTM A276 410 | |

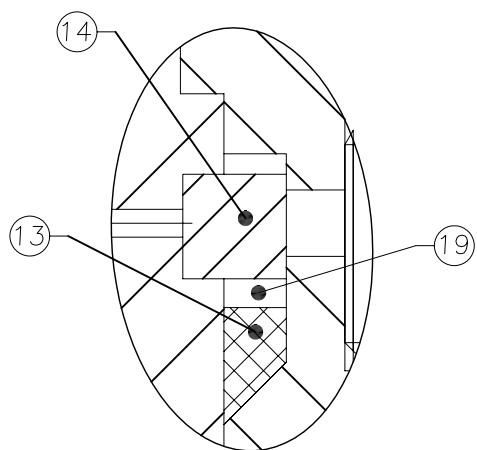
A

B

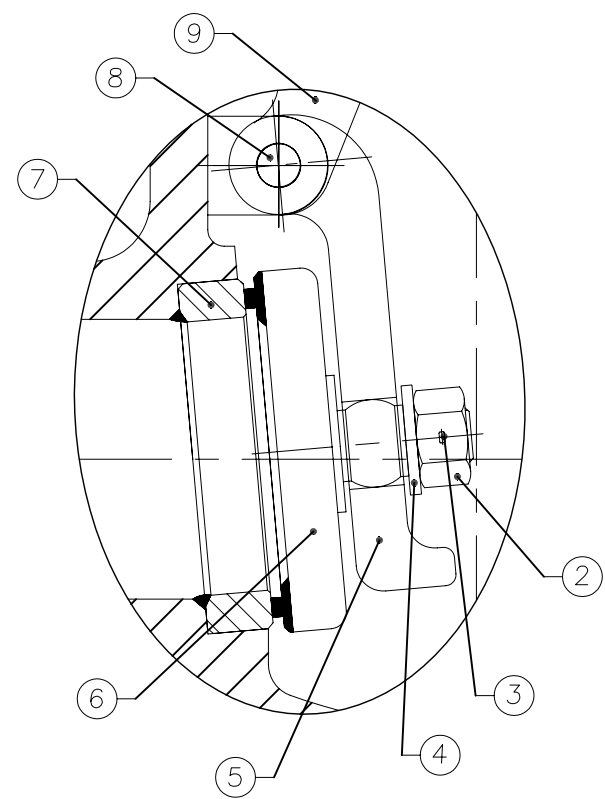
C

D

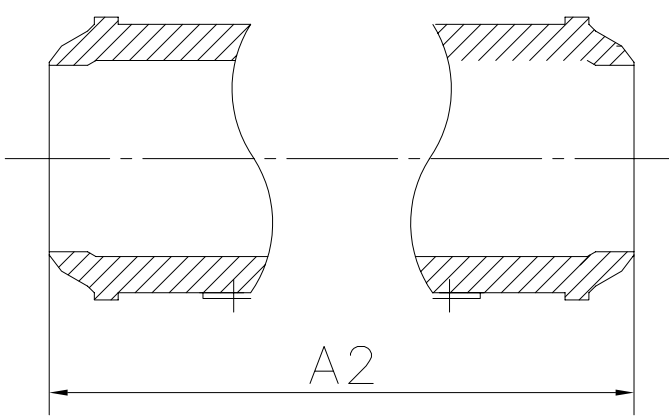
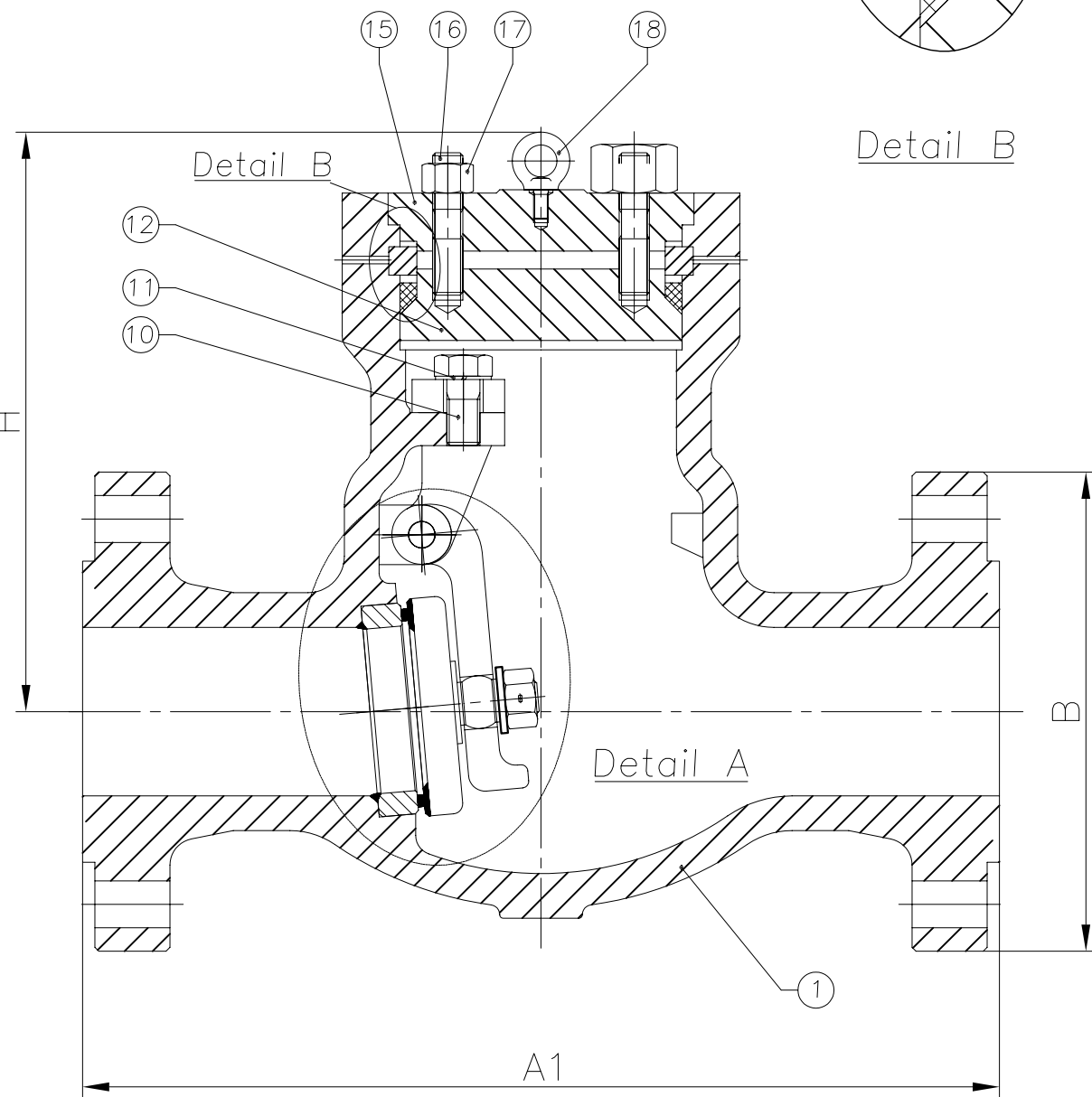
E



Detail B



Detail A



Butt-Weld Ends

| Size | A1 | A2 | B | H |
|------|------|------|-----|-----|
| 2 | 451 | 279 | 235 | 245 |
| 3 | 578 | 368 | 305 | 270 |
| 4 | 673 | 457 | 356 | 318 |
| 6 | 914 | 610 | 483 | 451 |
| 8 | 1022 | 762 | 550 | 559 |
| 10 | 1270 | 914 | 675 | 578 |
| 12 | 1422 | 1041 | 760 | 654 |

ENGINEERING DATA

| DESIGN CODE | BS 1868/ANSI B16.34 | TEST PRESSURES | | |
|----------------------------|---------------------|----------------|--------|------|
| FACE TO FACE DIMENSIONS | ASME B16.10 | BODY | 638.25 | Barg |
| ENDS CONNECTION DIMENSIONS | ASME B16.25 | SEAT | 468.05 | Barg |
| TESTING CODE | API 598 | BACKSEAT | 468.05 | Barg |
| | | AIR - SEAT | 6.0 | Barg |

| | | | | BY | CHK | APP | SCALE: | |
|--|--|--|--|----|-----|-----|----------|------|
| | | | | | | | DRAWN | DATE |
| | | | | | | | CHECKED | DATE |
| | | | | | | | APPROVED | DATE |

DRAWING TITLE:
 API CAST STEEL CLASS 2500
 PS BONNET, RF, SWING CHECK VALVE
 PROJECT:
 PACKAGE:
 VENDOR DOC.NO.:



| CAD. No. | DRAWING NUMBER: | 120056 | REV |
|----------|-----------------|----------|------|
| | AREA No. | FACILITY | TYPE |
| | SEQ. No. | SHT. No. | |

1 | 2 | 3 | 4 | 5 | 6 | 7 | 8

All drawings are subject to copyright, reproduction only with express permission of Edmund Valve Company (1965) Ltd. Subject to updating and revision. MATERIALS TO NACE MR0175 LATEST EDITION (WETTED PARTS).