

1 | 2 | 3 | 4 | 5 | 6 | 7 | 8

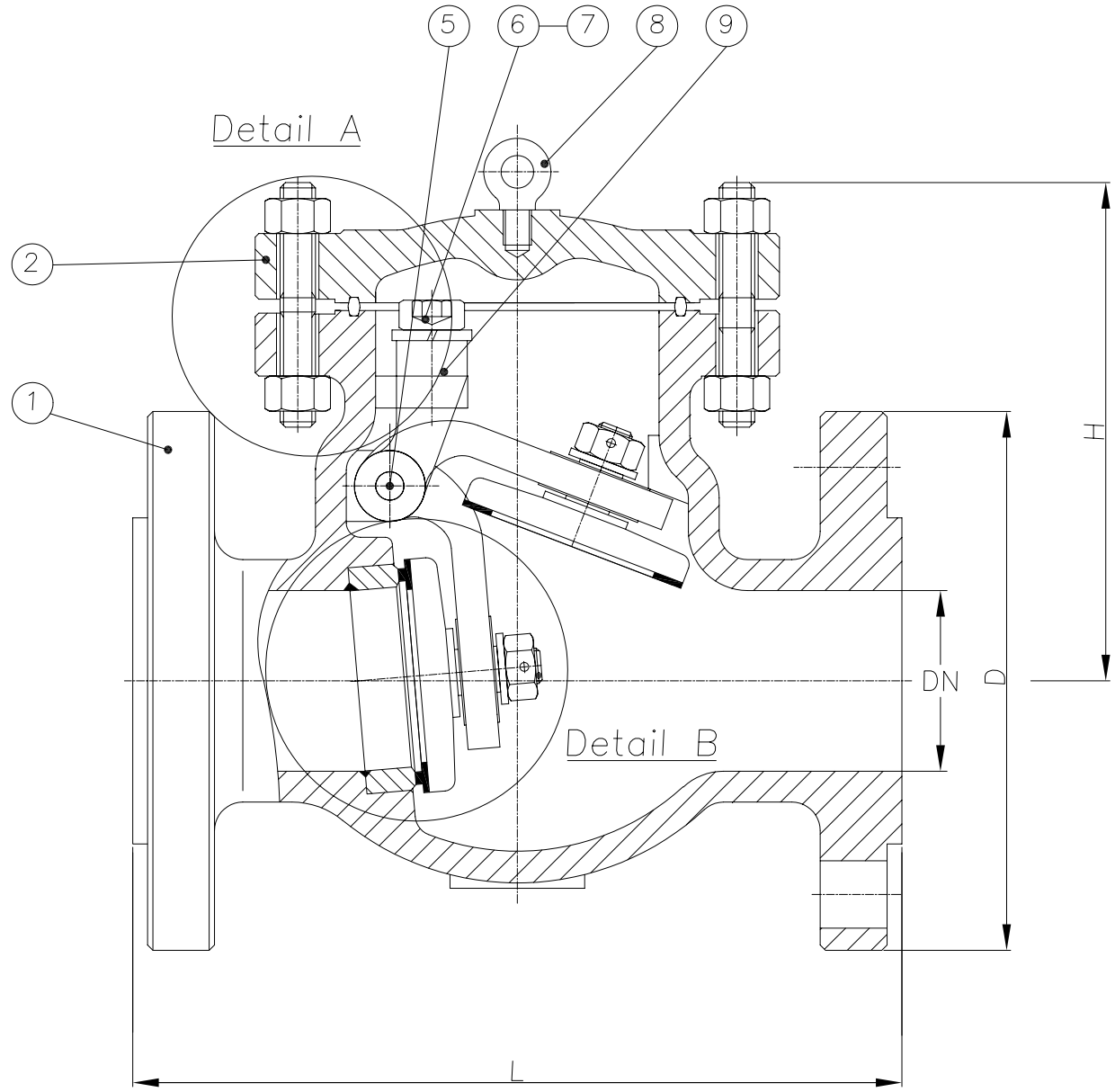
A

B

C

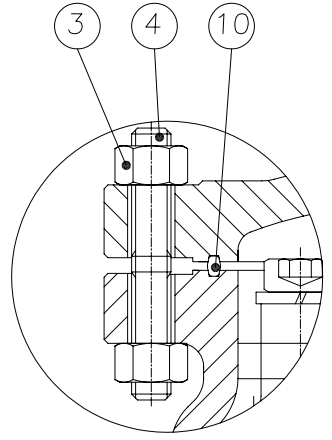
D

E

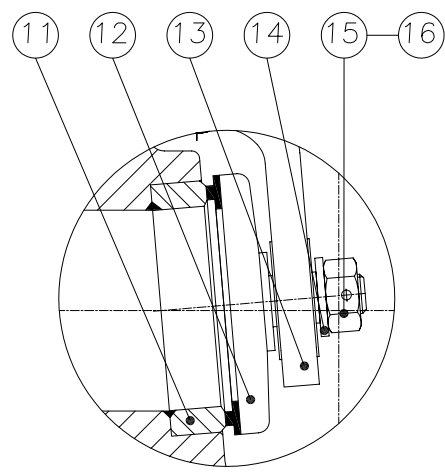


Detail A

Detail B



Detail A



Detail B

BILL OF MATERIALS

NO.	DESIGNATION	QTY	MATERIAL	NOTES
1	BODY	1	ASTM A216 WCB	
2	COVER	1	ASTM A216 WCB	
3	COVER NUT	1	ASTM A194 2HM	
4	COVER BOLT	1	ASTM A193 B7M	
5	HINGE PIN	1	CARBON STEEL	
6	EYE BOLT	1	ASTM A193 B7M	
7	SPRING WASHER	1	SPRING STEEL	
8	STATIONARY RING	1	CARBON STEEL	
9	BEARING BRACKET	1	ASTM A216 WCB	
10	GASKET	1	316+GRAPHITE	
11	SEAT	1	ASTM A105+STL	
12	DISC	1	ASTM A216 WCB	
13	HINGE	1	ASTM A216 WCB	
14	DISC WASHER	1	CARBON STEEL	
15	DISC NUT PIN	1	CARBON STEEL	
16	VALVE NUT	1	ASTM A194 2HM	

ITEM NO.	N.B	DN	L	D	H
	2"	51	203	152	146
	3"	76	241	191	197
	4"	102	292	229	222
	6"	152	356	279	273
	8"	203	495	343	324
	10"	254	622	406	394
	12"	305	699	483	432
	14"	337	787	533	499
	16"	387	864	597	559
	18"	435	978	635	635
	20"	483	978	699	673
	24"	591	1295	813	794

SWING CHECK VALVE CLASS 150

DRAWING TITLE:
CAST STEEL CLASS 150
BOLTED COVER, RF, SWING CHECK VALVES

PROJECT:
PACKAGE:
VENDOR DOC.NO.:



ENGINEERING DATA

DESIGN CODE	BS 1868/ANSI B16.34	TEST PRESSURES		
FACE TO FACE DIMENSIONS	ASME B16.10	BODY	30.0	Barg
ENDS CONNECTION DIMENSIONS	ASME B16.25	SEAT	22.0	Barg
TESTING CODE	API 598	BACKSEAT	22.0	Barg
		AIR - SEAT	6.0	Barg

				BY	CHK	APP	SCALE:		
							DRAWN	DATE	
							CHECKED	DATE	
							APPROVED	DATE	

CAD. No.	DRAWING NUMBER:	120059	REV
	AREA No.	FACILITY	TYPE
	SEQ. No.	SHT. No.	

1 | 2 | 3 | 4 | 5 | 6 | 7 | 8

All drawings are subject to copyright, reproduction only with express permission of Edmund Valve Company (1965) Ltd. Subject to updating and revision.

MATERIALS TO NACE MR0175 LATEST EDITION (WETTED PARTS).